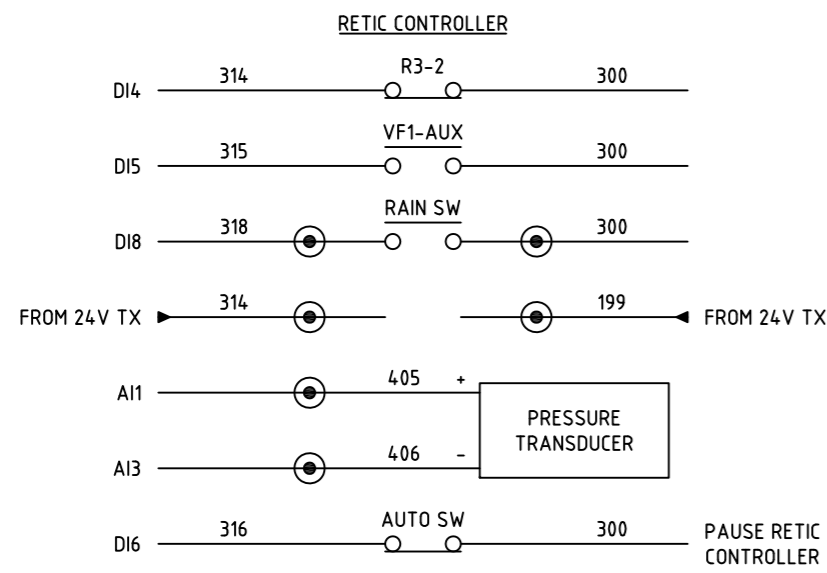
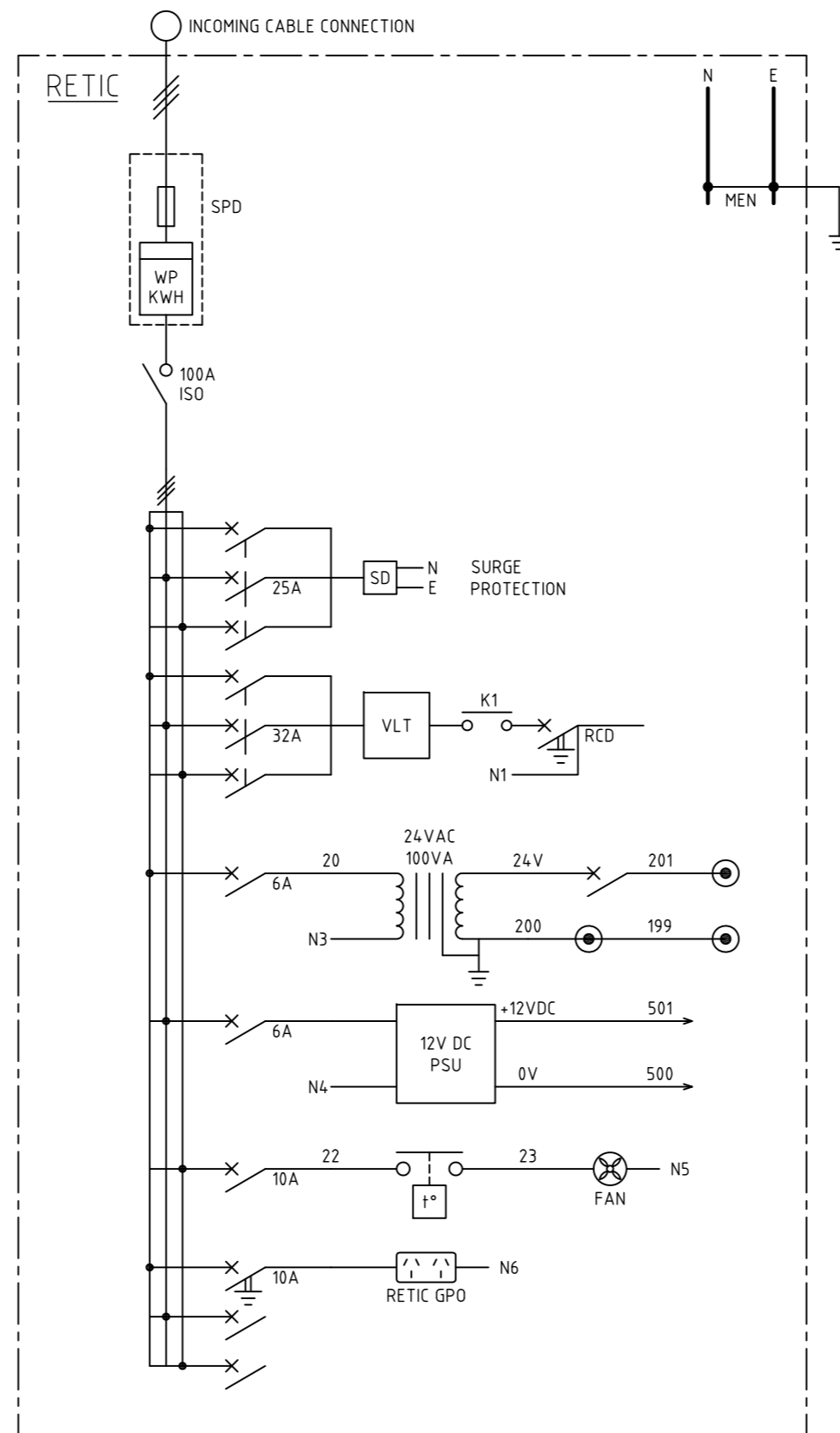
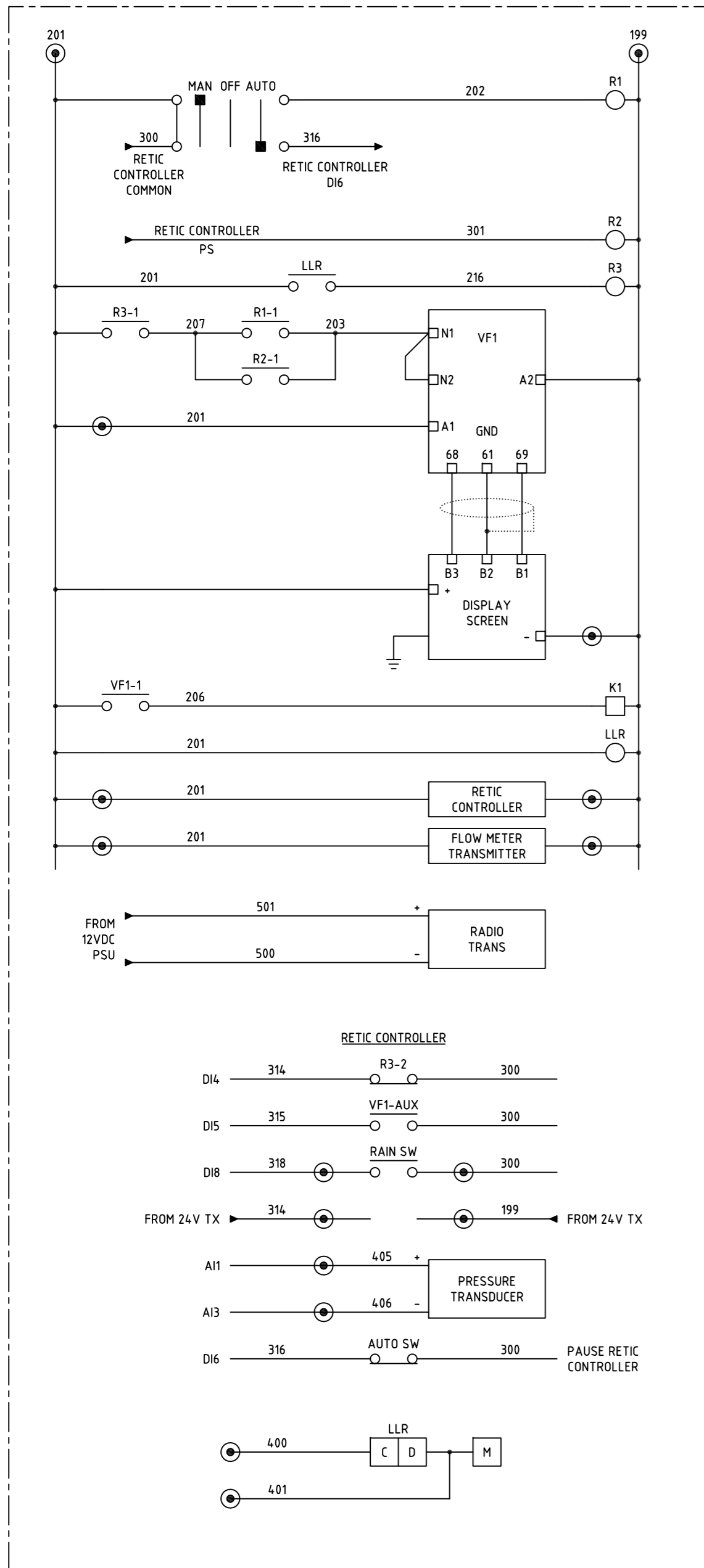



SMALL RETICULATION CABINET




FOR TENDER PURPOSES ONLY



PGS Industries
Design and manufacture of:
Electrical Switchboards
Sheetmetal & fabrication

20 Achievement Way
PO Box 1139, Wangara WA 6947
Telephone: 0819302 1154
Fax: 0819302 1254
admin@pgsindustries.com.au



PRELIMINARY

CLIENT	NIDO ELECTRICAL	DESIGNED	C.S	SCALE	1:10@A2	DATE	25-08-20
PROJECT	AUTOCAD SCHEMATIC	DRAWN	C.S	CHECKED	C.W		
REV	ISSUE	DATE	REVISION	DRN	CKD	TITLE	SWITCHBOARD PRELIMINARY DRAWING
0	P	25-09-20	PRELIMINARY			DRAWING	15787-2
						REVISION	0
						ISSUE	P