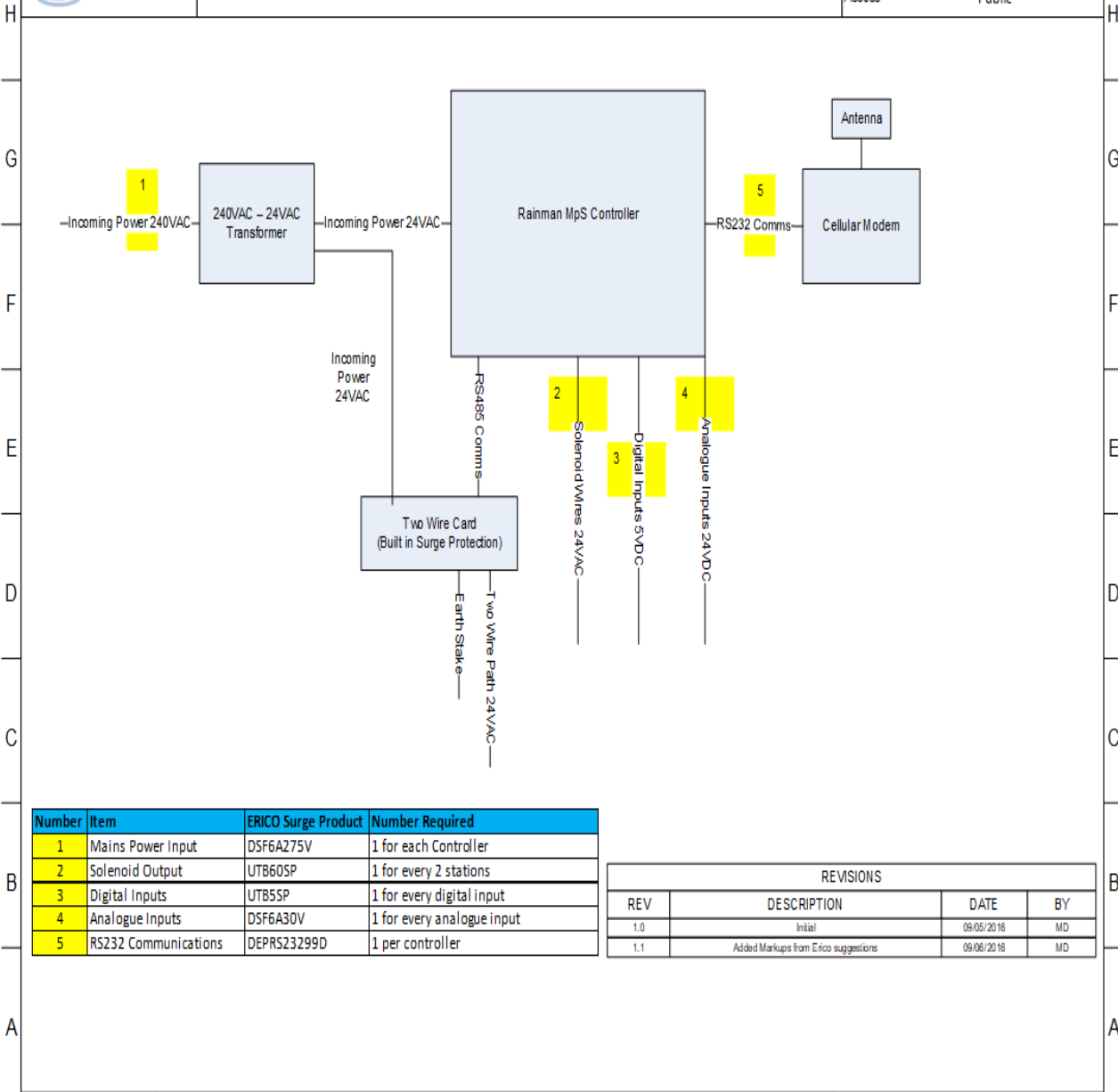


Number	Item	ERICO Surge Product	Number Required
1	Mains Power Input	DSF6A275V	1 for each Controller
2	Solenoid Output	UTB605P	1 for every 2 stations
3	Digital Inputs	UTB55P	1 for every digital input
4	Analogue Inputs	DSF6A30V	1 for every analogue input
5	RS232 Communications	DEPR523299D	1 per controller
6	Antenna	CSP1BNC90	1 per controller

REVISIONS			
REV	DESCRIPTION	DATE	BY
1.0	Initial	09/05/2016	MD
1.1	Added Markups from Erico suggestions	09/06/2016	MD



Number	Item	ERICO Surge Product	Number Required
1	Mains Power Input	DSF6A275V	1 for each Controller
2	Solenoid Output	UT860SP	1 for every 2 stations
3	Digital Inputs	UT85SP	1 for every digital input
4	Analogue Inputs	DSF6A30V	1 for every analogue input
5	RS232 Communications	DEPRS23299D	1 per controller

REVISIONS			
REV	DESCRIPTION	DATE	BY
1.0	Initial	09/05/2016	MD
1.1	Added Markups from Eico suggestions	09/06/2016	MD